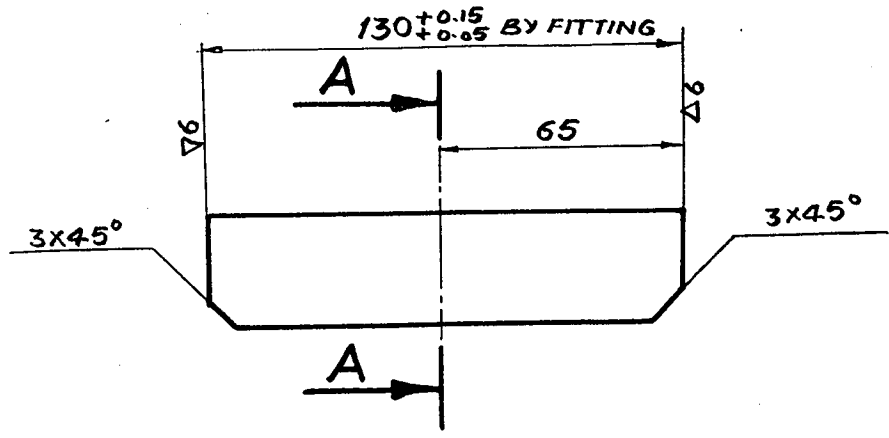
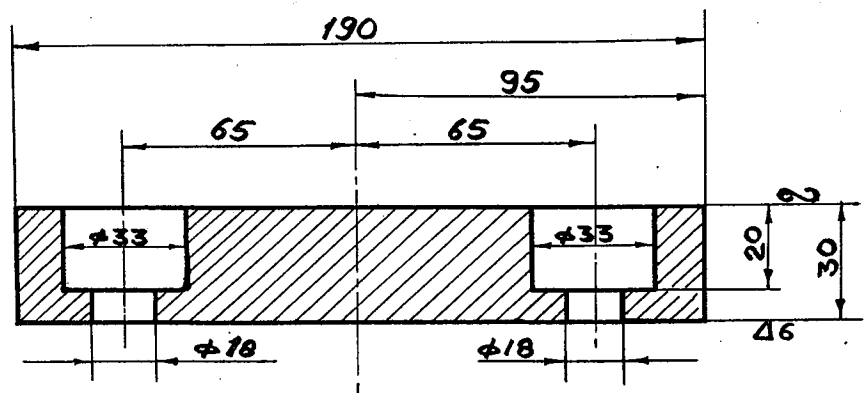


32425009

लाल सिंह



SECTION A-A



INVENTORY NO.	51-7072
SIGN AND DATE	14.3.72
S. UNDESIG. INVENTORY NO.	
DUPLICATE INVENTORY NO.	
SIGN AND DATE	
U.S.S.R. DRAWING NO.	A-1179243
U.S.S.R. G.R.SP. (ASSEMBLY)	117304

CHG	NO.	DOCU NO.	SIGN	DATE
WORKED BY	P. SINGH		<i>P.S.</i>	10.2.72
CHECKED BY	P. SINGH		<i>P.S.</i>	10.2.72
SUPERVISED				
TECH CONT	J. LAL		<i>J.L.</i>	15.2.72
STD CONT	M.P. SINGH		<i>M.P.S.</i>	8.3.72
APPROVED	J.N. KARAN		<i>J.N.K.</i>	15.3.72

C-200-130

ADJUSTING PAD

STEEL St 42-S 15:226-62

MCT 3 GOST 500-58

32425000 SP	
32425009	
LETTER	SCALE
B	1:2
WEIGHT	
5.5	
SHEET / TOTAL SHEET	
HEEP	STD

KICCO